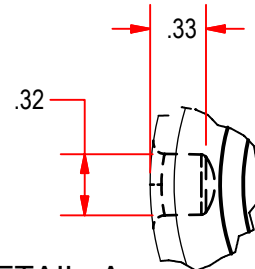
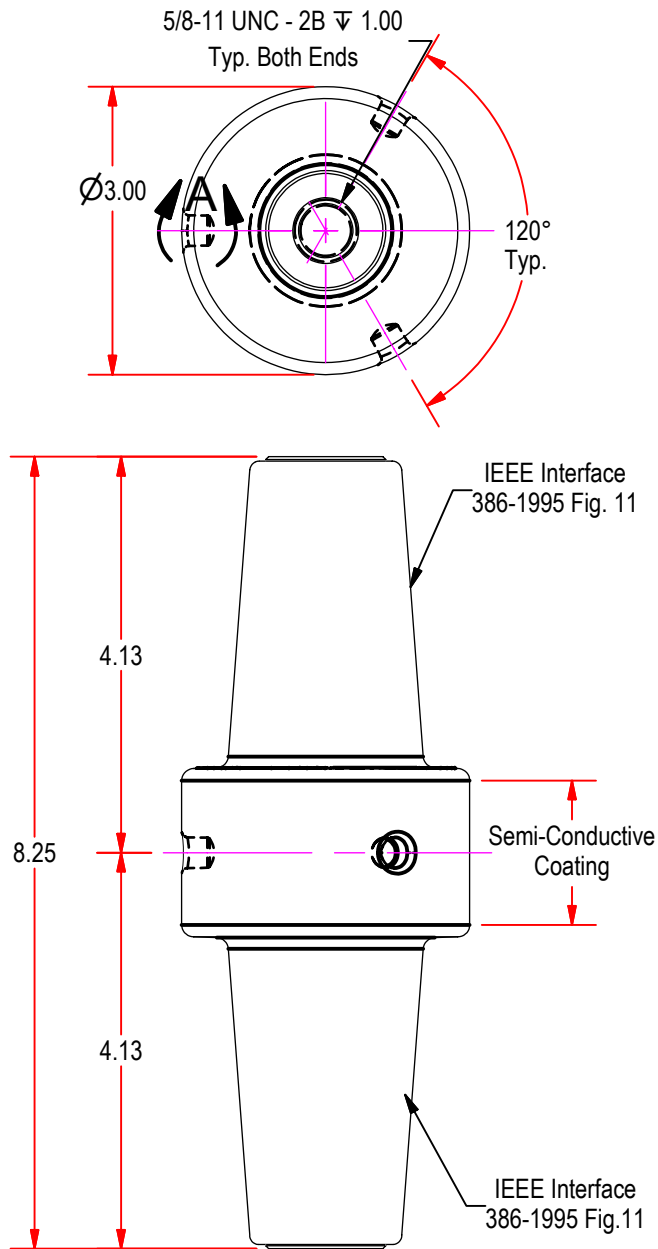


600-Amp Connecting Plug

Indoor Applications
Cycloaliphatic Epoxy



DETAIL A
SCALE 1 : 1

Part Number	Electrical Ratings				Current Capacity (RMS)		Momentary Withstand (RMS / ASYM)		Approx. Weight (lbs.)
	Voltage Class(kV)	BIL (kV)	Withstand 1 Min. 60 Hz Dry (kV)	Corona Extinction	Continuous	8 Hr. Overload	10 Cycles	3 Seconds	
CP600a-A	15/25	95/125	34/40	11/19	600 Amps	900 Amps	25,000 Amps	10,000 Amps	2.21
CP600a-C	15/25	95/125	34/40	11/19	600 Amps	900 Amps	25,000 Amps	10,000 Amps	4.01



Reuel, Inc.
P.O. Box 10561
Goldsboro, NC 27530

Phone: +1.919.734.0460
Fax: +1.919.734.0902
[http:// www.reuelinc.com](http://www.reuelinc.com)

Data Sheet DSCP600-01

May 2, 2007